

"D" (DIMENSION)	LARGEST PIPE
48"	8" - 15"
60" or >	18" or >

BACKFILL TO BE HAND PLACED AND COMPACTED WITHIN FOUR FEET OF THE MANHOLE.

PLACE WATER STOP ON ALL PIPES ENTERING THE MANHOLE.

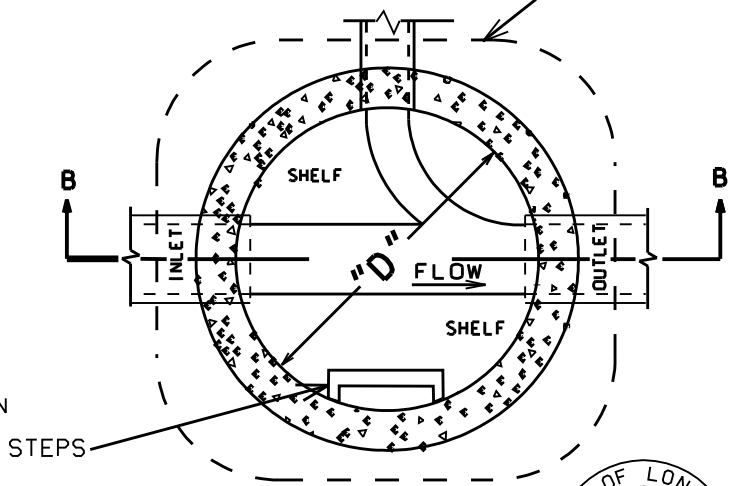
UNDISTURBED EARTH OR 3/4" - 1 1/2" ROCK IF NEEDED TO ESTABLISH A STABLE BASE.

CAST IN PLACE BASE OR PRECAST.

NOTES:

SECTION B-B

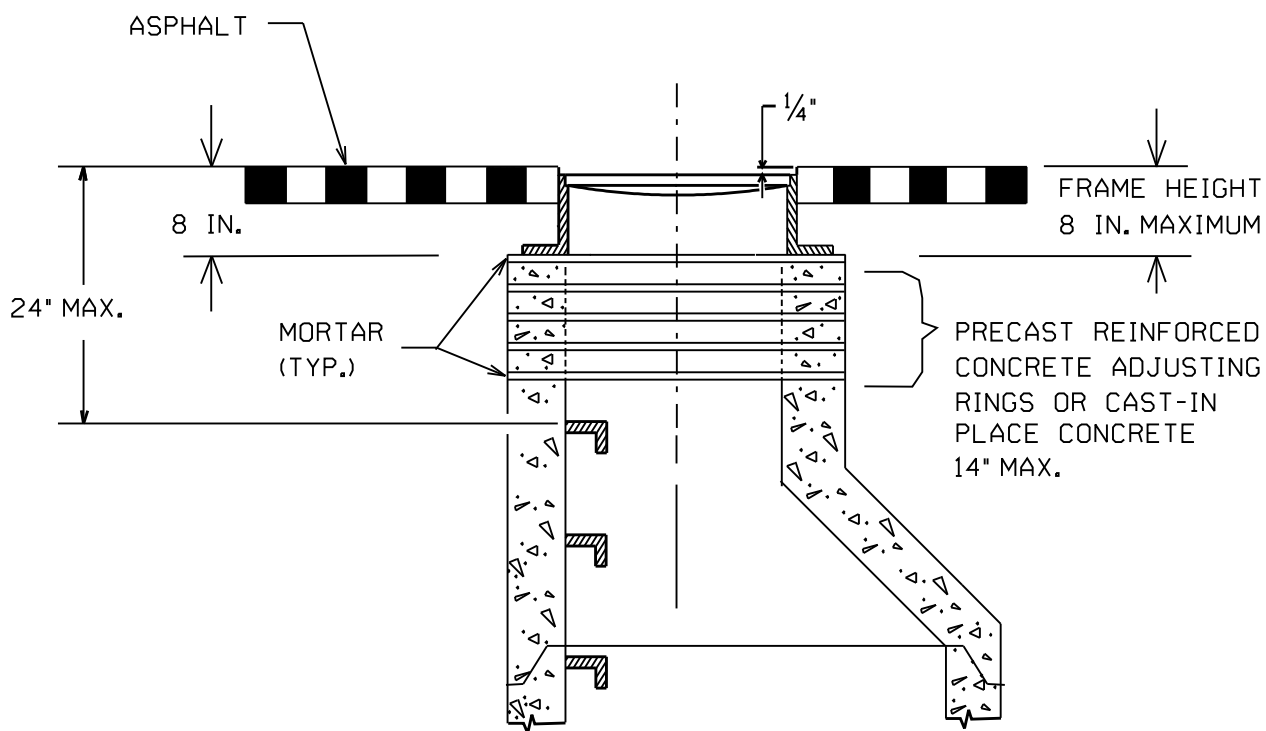
1. FINAL GRADE OF MANHOLE COVERS SHALL BE FLUSH TO 1/4" BELOW FINAL STREET GRADE.
2. ALL CHANNELS FLOWING INTO THE MAIN STREAM OF THE SEWER SHALL BE HAND FORMED INTO THE FLOW.
3. STEPS SHOULD BE PLACED OVER THE SHELF NOT OVER THE FLOW. NO STEPS ALLOWED IN THE ADJUSTING RING AREA.
4. MH COVER & FRAME SHALL BE DEETER #1258 OR APPROVED EQUAL, WITH LETTERING DEPICTING "WATER", "SANITARY" OR "STORM".
5. NO 4" SERVICE LINES MAY ENTER MANHOLE.
6. THE PHYSICAL CONNECTION TO THE EXISTING SANITARY SEWER SYSTEM SHALL BE PLUGGED UNTIL CONSTRUCTION ACCEPTANCE HAS BEEN ISSUED FOR THE PROJECT.



REV 4-12-96 JR
REV 1-14-02 JR

STANDARD MANHOLE DETAIL
N.T.S.





NOTES:

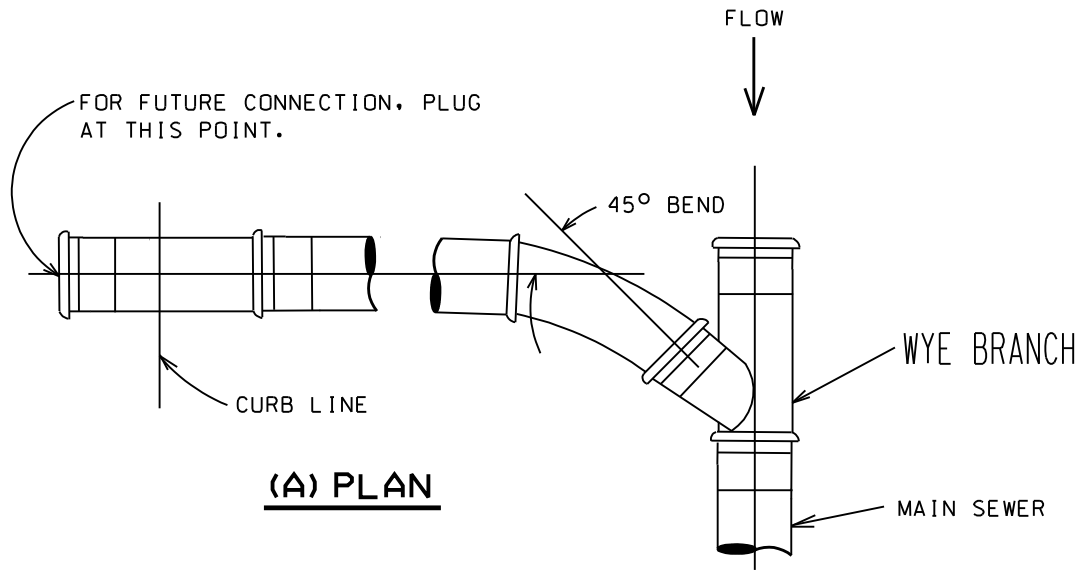
PROFILE

- 1) FINAL GRADE OF MANHOLE COVERS SHALL BE FLUSH TO 1/4" BELOW FINAL STREET GRADE.
- 2) ALL ASPHALT IS TO BE CUT IN A NEAT AND VERTICALLY STRAIGHT MANNER.
- 3) A CONCRETE MORTAR SHALL BE USED BETWEEN ALL ADJUSTING RINGS AS REQUIRED.
- 4) DROP-IN RISER RINGS NOT ALLOWED ON NEW CONSTRUCTION.
- 5) DROP-IN RISERS MAY BE USED ON REHABILITATION OR OVERLAY PROJECTS.
A MAXIMUM OF ONE RING MAY BE USED NOT EXCEEDING 4 INCHES TOTAL HEIGHT.
- 6) ANY EXISTING BRICKS OR WOOD USED AS RISERS MUST BE REMOVED AND REPLACED WITH CONCRETE RINGS.

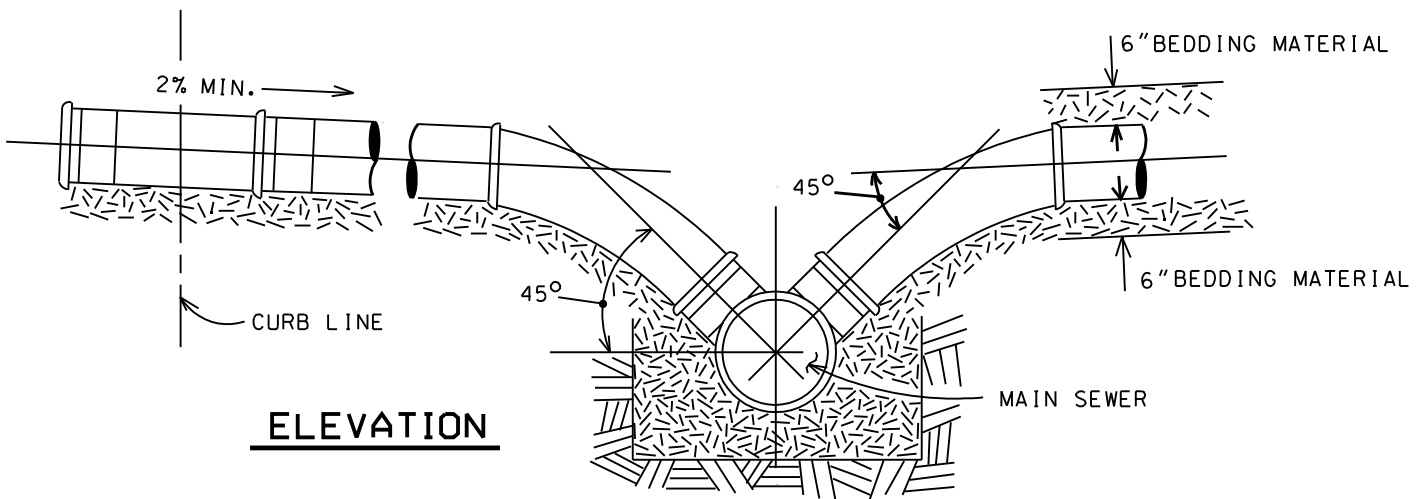
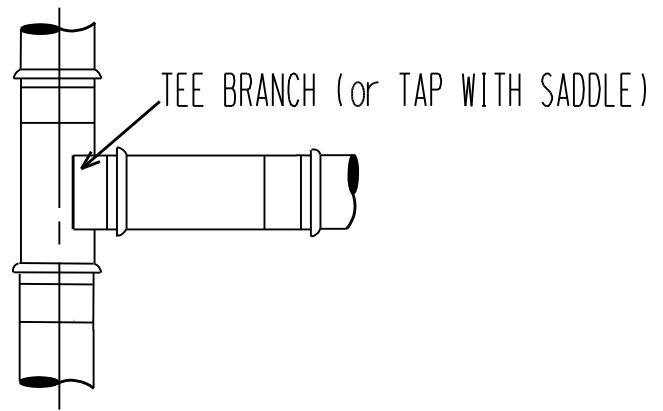
MANHOLE RAISING DETAIL

N. T. S.





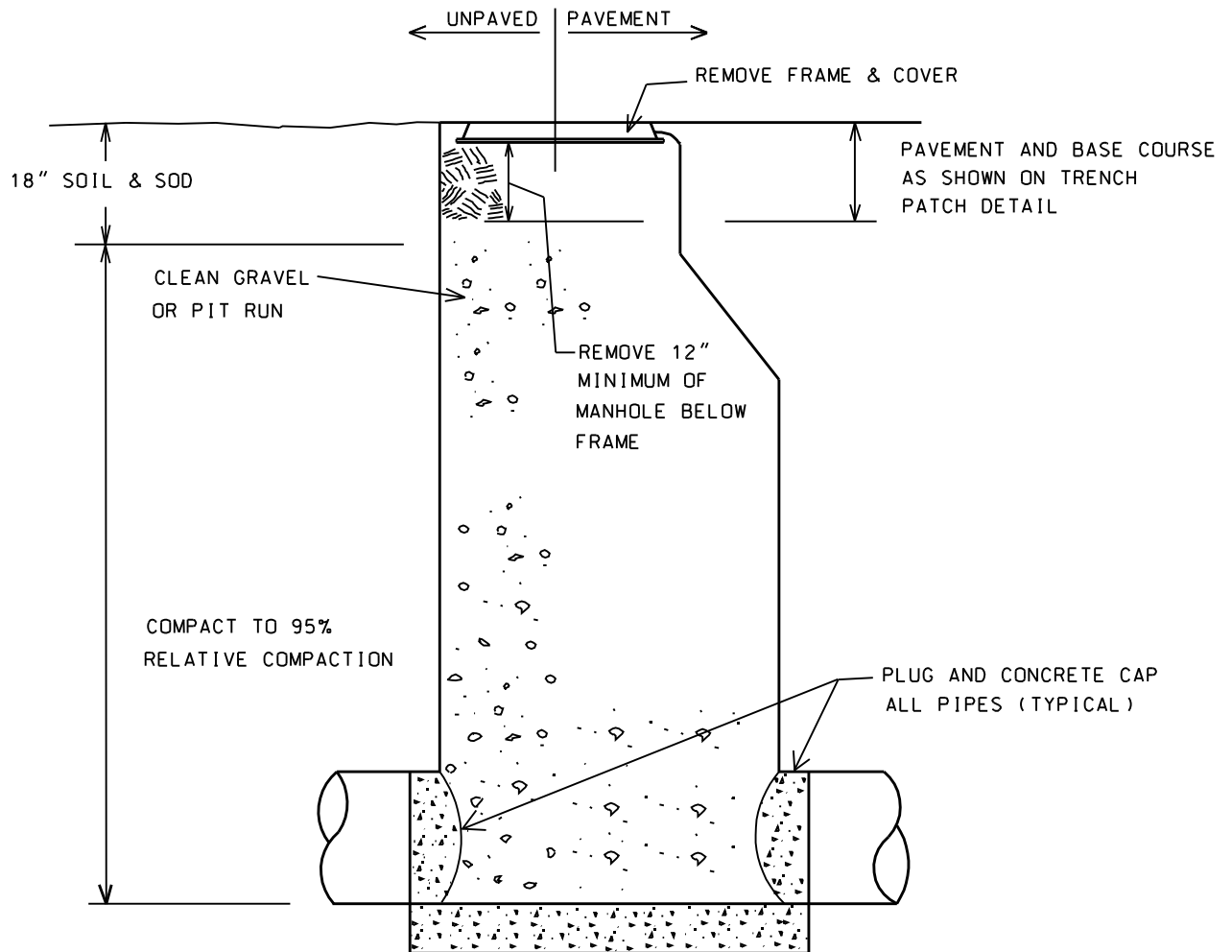
(B) PLAN



SEWER SERVICE CONNECTION

N.T.S.



**NOTES:**

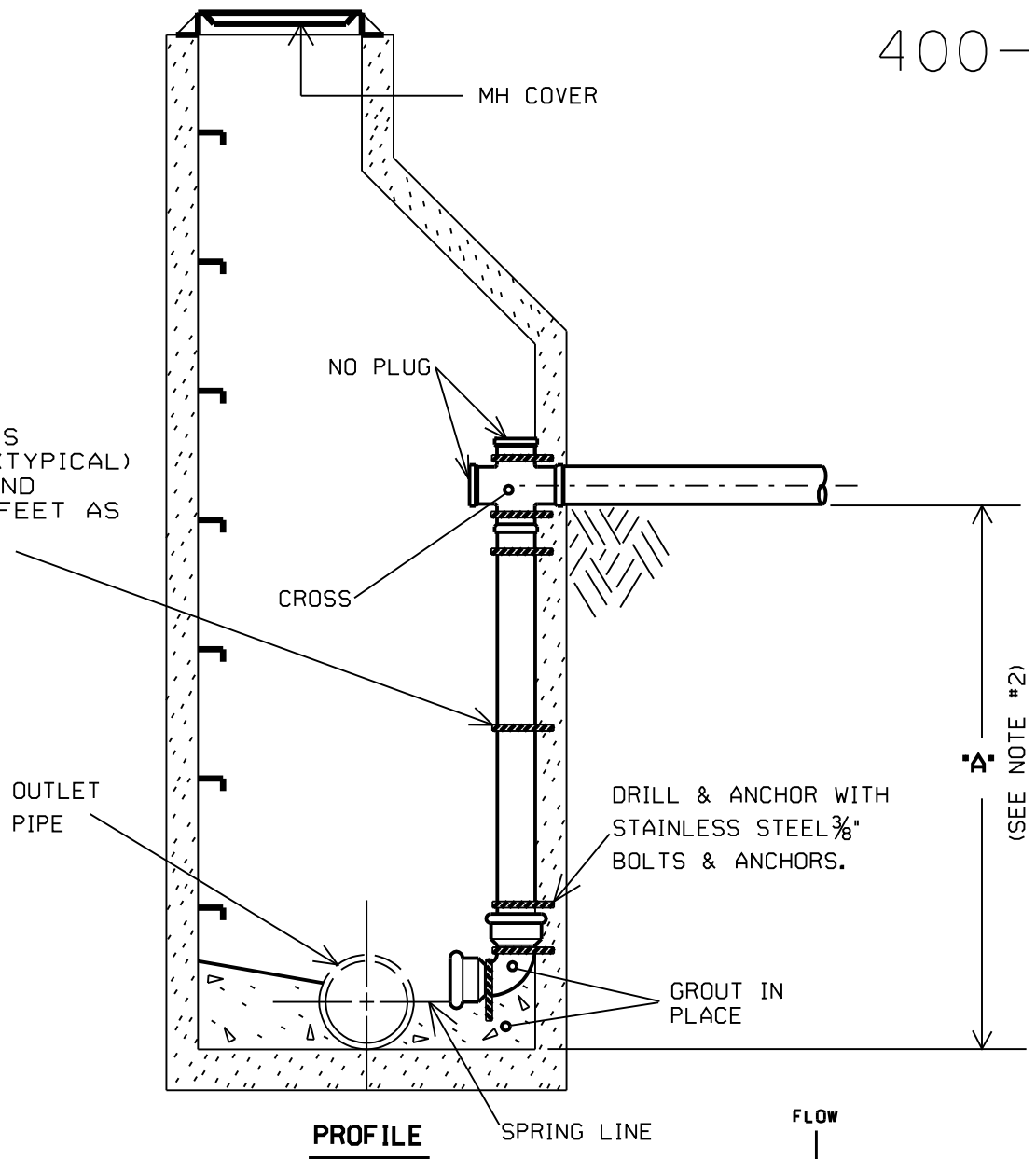
1. FLUSH LINE AND MANHOLE TO REMOVE ANY REMAINING SEWAGE.
2. PLUG ALL MANHOLE OPENINGS WITH CONCRETE OR MORTAR.
3. REMOVE METAL FRAME AND COVER. DELIVER TO THE UTILITY CENTER, 1251 S. BOWEN ST.
4. REMOVE RISERS AND/OR BARREL SECTION TO AT LEAST 12 INCHES BELOW SURROUNDING GROUND/ASPHALT.
5. COMPLETE TO FINISH GRADE AS SHOWN.

MANHOLE ABANDONMENT DETAIL

N. T. S.



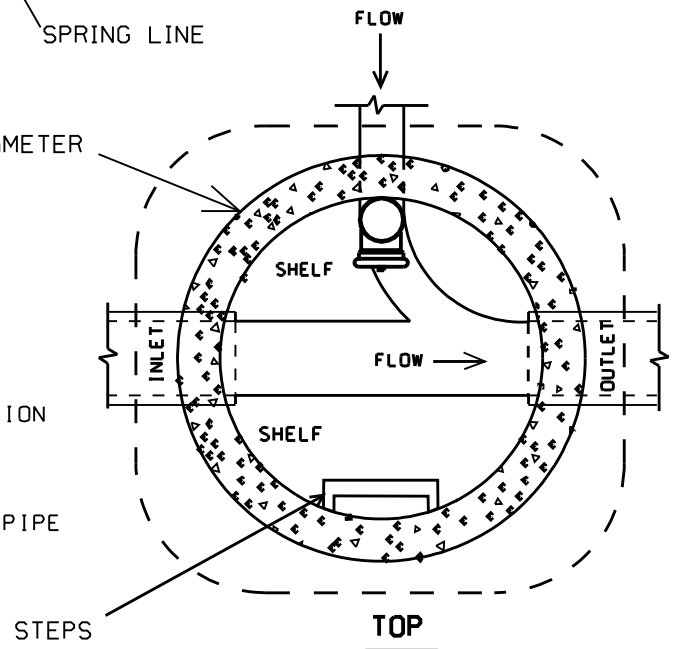
1"x $\frac{1}{8}$ " STAINLESS
STEEL STRAP (TYPICAL)
TOP, BOTTOM AND
EVERY THREE FEET AS
SHOWN.



NOTES:

1. SEE STANDARD MANHOLE DETAIL FOR STRUCTURAL INFORMATION RELATED TO THE MANHOLE, FRAME, AND BASE.
2. A DROP MANHOLE IS REQUIRED WHEN THE "A" DIMENSION SHOWN ABOVE EXCEEDS 18".
3. A LARGER DIAMETER MANHOLE MAY BE REQUIRED FOR PIPE EXCEEDING 8" IN DIAMETER.

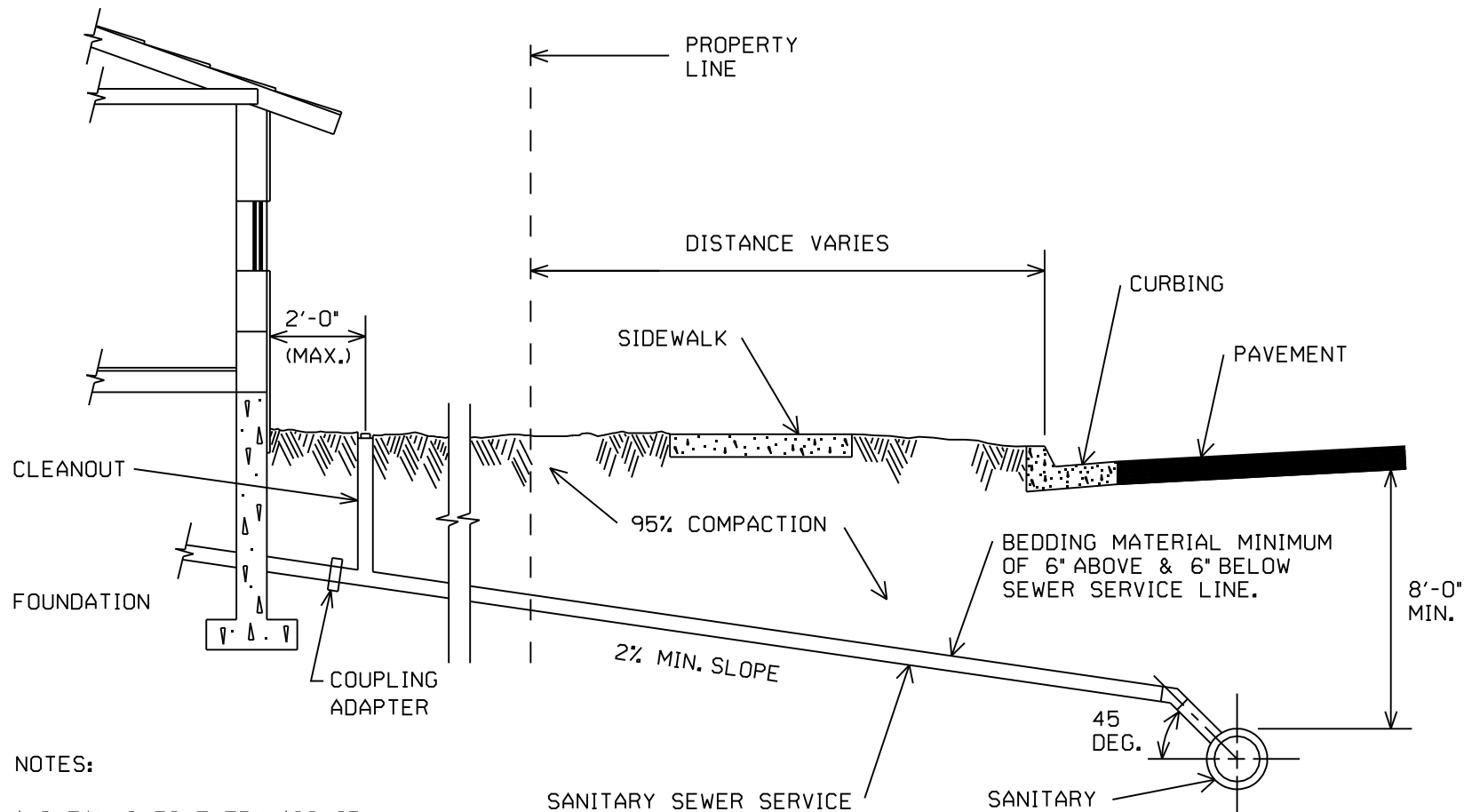
MINIMUM 5' DIAMETER
MANHOLE



INSIDE DROP MANHOLE DETAIL

N.T.S.





NOTES:

- 1) CLEAN OUTS EVERY 100' OR 135' CHANGE OF DIRECTION.
- 2) PLACEMENT OF TAP TO BE ABOVE SPRINGLINE OR HIGHER.
- 3) COUPLING ADAPTER TO BE AT LEAST 6" OUTSIDE OF FOOTING.

SANITARY SEWER SERVICE OUTSIDE FOUNDATIONS ON NEW INSTALLATIONS USE SDR 35 PVC RUBBER GASKETED JOINTS.

SANITARY SEWER MAIN (SEE NOTE 2.)

SANITARY SEWER SERVICE LINE INSTALLATION

N.T.S.

