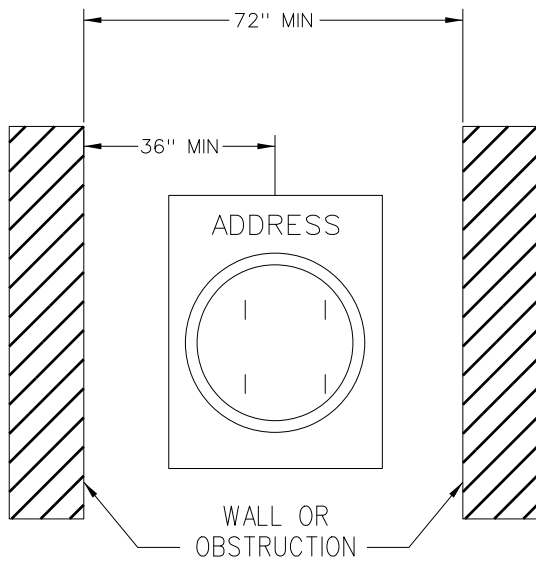
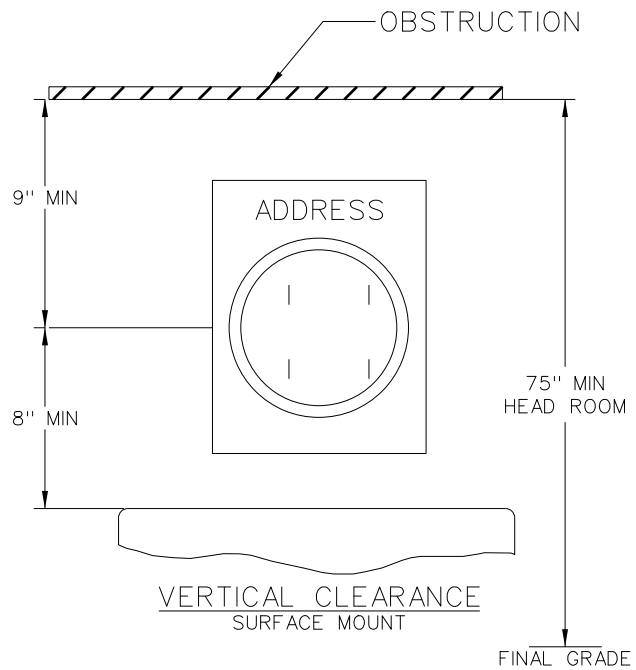


METER HOUSING CLEARANCE REQUIREMENTS

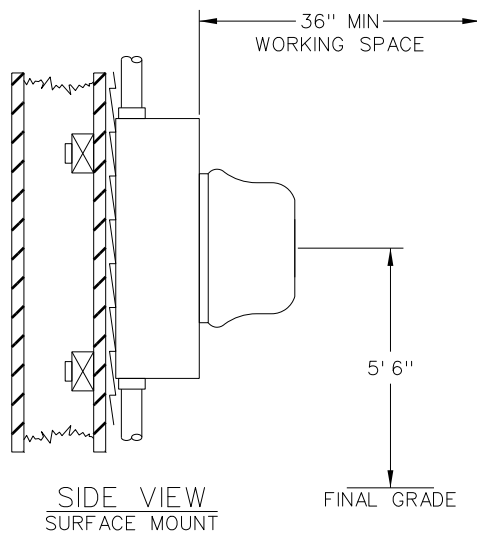
MTR-8



HORIZONTAL CLEARANCE  
SURFACE MOUNT



VERTICAL CLEARANCE  
SURFACE MOUNT



SIDE VIEW  
SURFACE MOUNT

\*\* 36" CLEARANCE MUST BE MAINTAINED AROUND AND IN FRONT OF METER FOR SAFETY.

METER HOUSING  
CLEARANCES

N.T.S.



Print Date: 8/20/2019

File: 2019 SDT TEMPLATE.cel

REVISION BY: NOTEBOOMJ

SCALE: NOT TO SCALE

CITY of LONGMONT

1100 S SHERMAN ST  
Longmont, CO 80501

Phone: 303-651-8386  
FAX: 303-651-8796

DETAIL

MTR-8