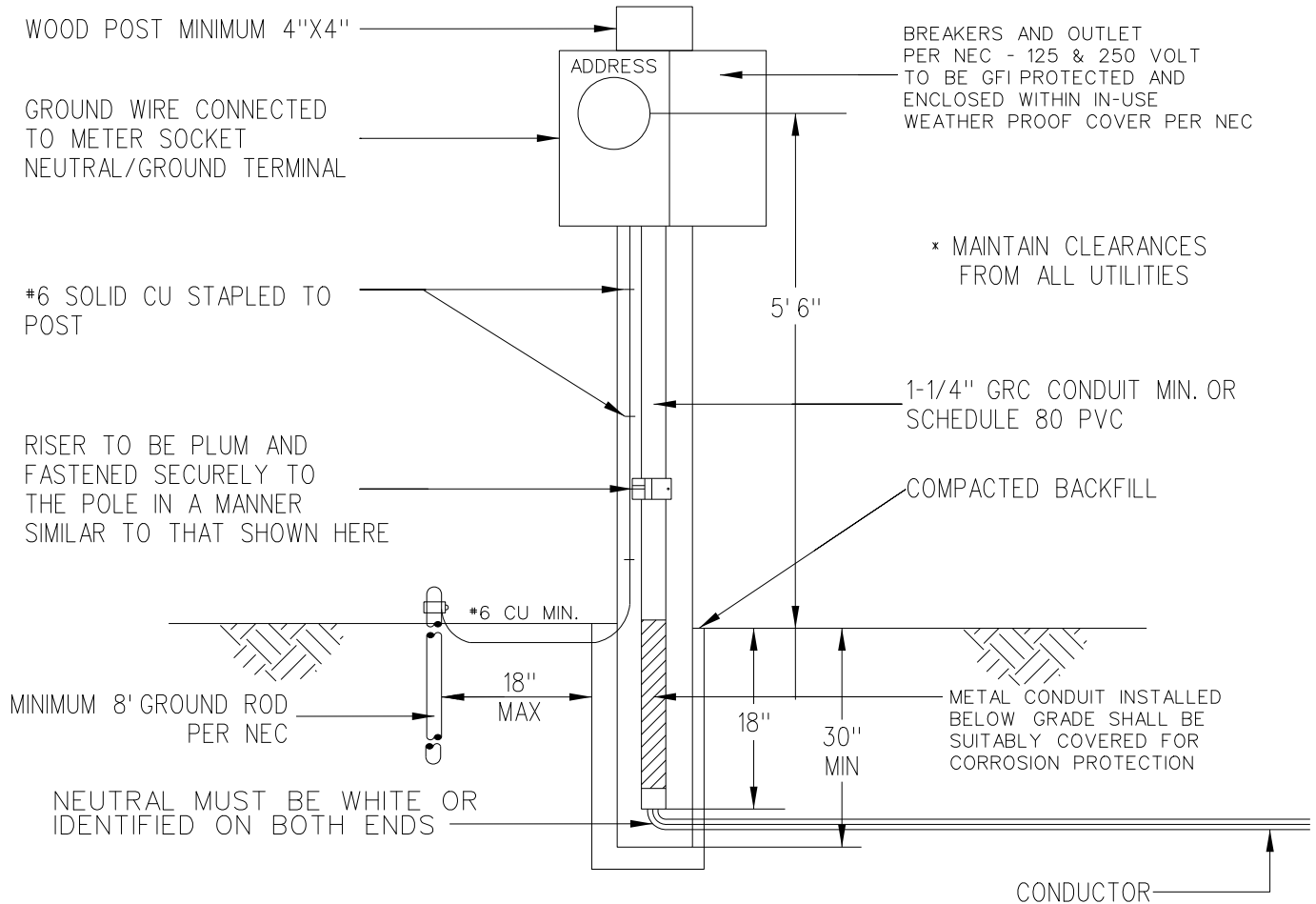


ALL NON-CURRENT CARRYING METALLIC PARTS TO BE BONDED TO NEUTRAL AND EFFECTIVELY GROUNDED PER NEC

MTR-2



NOTES:

1. ALL CONNECTIONS TO CITY-OWNED FACILITIES MUST BE MADE BY CITY PERSONNEL
2. A 3 WIRE, 240 VOLT, METER SOCKET AND BREAKER IS REQUIRED AND SHALL MEET NEC REQUIREMENTS.
3. ALL EQUIPMENT SHALL BE FURNISHED AND INSTALLED BY THE CUSTOMER.
4. COMMERCIAL TEMPORARY METERING SHALL FOLLOW THE COLD SEQUENCING GUIDELINES AND REQUIRE THE INSTALLATION OF FAULT LIMITING DISCONNECTS ON THE LINE SIDE OF THE METER.
5. ALL SERVICES 400 AMPS OR LESS, EXCLUDING CT RATED SERVICES, REQUIRE A LEVER OPERATED BYPASS.
6. REFER TO BYPASS DETAILS WITHIN MTR-14, MTR-16 AND MTR-17
7. THE ADDRESS FOR TEMPORARY SERVICES MUST BE PROMINENTLY POSTED FOR SINGLE FAMILY RESIDENTIAL AND A PHENOLIC BADGE FOR COMMERCIAL.
8. REFER TO SECTION 703.01 FOR LABELING REQUIREMENTS
9. REFER TO MTR-1 FOR CONNECTIONS TO J-BOX/TRANSFORMERS
10. REFER TO SECTION 700 FOR ALL OTHER DETAILS

TEMPORARY POWER  
1-12 MONTHS USE  
N.T.S.



CALL 1-800-922-1987 TO OBTAIN UTILITY LOCATES

Print Date: 9/12/2019	<p>CITY of LONGMONT</p> <p>1100 S SHERMAN ST Longmont, CO 80501</p> <p>Phone: 303-651-8386 FAX: 303-651-8796</p>	DETAIL
File: MTR Drawings.cel		
REVISION BY: NOTEBOOMJ		MTR-2
SCALE: NOT TO SCALE		