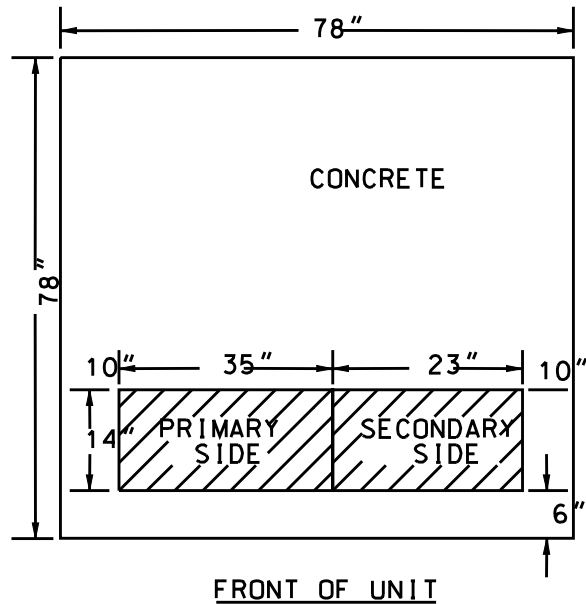



ORIENTATION



THE CUSTOMER SHALL FURNISH A LEVEL CONCRETE PAD IN ACCORDANCE WITH THE SPECIFICATIONS OUTLINED BELOW. THE PAD REMAINS THE PROPERTY OF THE CUSTOMER AND ANY DEFICIENCY IN THE PAD IS THE SOLE RESPONSIBILITY OF THE CUSTOMER TO REPAIR.

1. THE PAD AND ELECTRIC CONDUCTOR BLOCKOUT DIMENSIONS ARE INDICATED ON THE DRAWING.
2. THE PAD SHALL BE A MINIMUM OF 6" THICK, REINFORCED WITH WIRE MESH OR REBAR THROUGHOUT, ABLE TO SUPPORT UP TO 17,000 LBS.
3. THE ELEVATION OF THE TOP OF THE PAD SHALL BE 4" ABOVE THE SURROUNDING FINISHED GRADE.
4. THE PAD SHALL BE INSTALLED LEVEL
5. COMPACTION BENEATH THE PAD MUST BE 95% OF STANDARD PROCTOR, ASTM D698, AT A PLUS OR MINUS 2% OPTIMUM MOISTURE CONTENT. TEST RESULTS SHALL BE PROVIDED TO THE LPC INSPECTOR OR FAXED TO 303-651-8796.
6. TRANSFORMER LOCATIONS SHALL BE ESTABLISHED BY THE OWNER
7. MINIMUM CLEARANCE REQUIREMENTS
 - a. 3' ON THE SIDES AND BACK OF THE PAD FROM SURROUNDING STRUCTURES; CONFIRM LOCAL CODES INCLUDING FIRE FOR GREATER REQUIREMENTS
 - b. 3' ON THE SIDES AND BACK FROM LANDSCAPING, FENCES, ETC.
 - c. 10' IN THE FRONT WHERE ACCESS DOORS ARE LOCATED
 - d. 3' MINIMUM FROM A DRIVING SURFACE WITH THE USE OF BOLLARDS
 - e. 5' FROM A DRIVING SURFACE BEHIND A CURB OR PROTECTIVE FEATURE
 - f. 10' FROM A DRIVING SURFACE WHERE NO PROTECTIVE FEATURE IS PROPOSED
 - g. MAXIMUM 15' MEASURED FROM THE CENTER OF THE UNIT TO A TRUCK RATED DRIVING SURFACE FOR LPC TRUCK/LIFTING ACCESS
 - h. REFERENCE CLEARANCE AND BOLLARD DETAIL DRAWINGS
8. THE NUMBER AND SIZE OF THE SECONDARY VOLTAGE CONDUITS ARE TO BE DETERMINED AND INSTALLED BY THE CUSTOMER'S ELECTRICIAN. WHEN THE NUMBER OF CONDUITS EXCEED 6 SECONDARY RUNS, APPROVAL BY LPC IS REQUIRED
9. THE PAD SHALL BE ORIENTATED PER LPC

	TRANSFORMER COMMERCIAL THREE PHASE CONCRETE PAD		
	REV. 8	700-10	SCALE: NA
POWER & COMMUNICATIONS	DATE: 4/07	DRAWN BY: RAWTMF	APPROVAL: