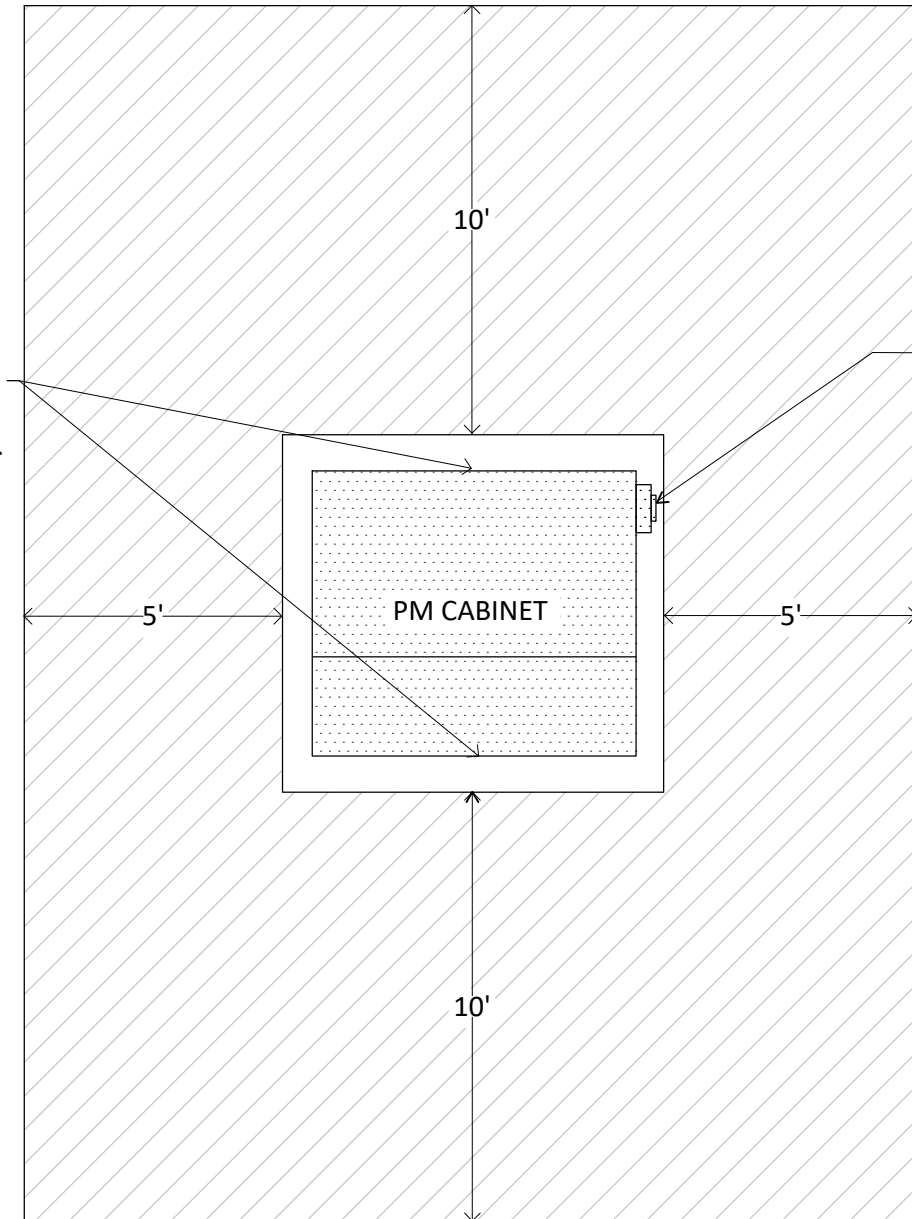


10' CLEARANCE
REQUIRED FOR
ACCESSIBLE DOORS
ON FRONT AND BACK.



METER HOUSING

PM CABINET

ELECTRIC SERVICES

CALL 1-800-922-1987 TO OBTAIN UTILITY LOCATES

NOT TO SCALE



CITY OF
LONGMONT
COLORADO

1100 S SHERMAN ST
LONGMONT, CO 80501

PM CABINET CLEARANCES
(USE NOTES FROM UPDATED
DETAIL 700-02)

PHONE: 303-651-8386
FAX: 303-651-8796

Revision #:
Approved by:
Date Approved: 2025
File: UG DRAWINGS 2025
DETAIL

700-22A