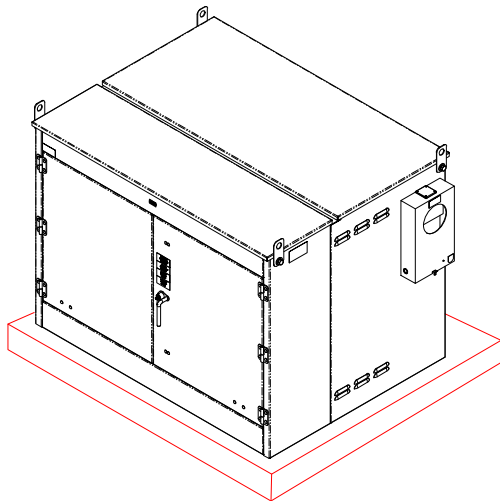


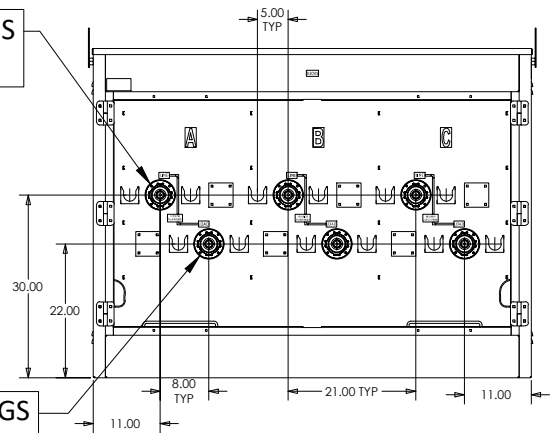
PM CABINET DIMS: 72"W X 54"D X 54"H



PM CABINET ISO VIEW SHOWN ON 3 PHASE XFMR PAD.

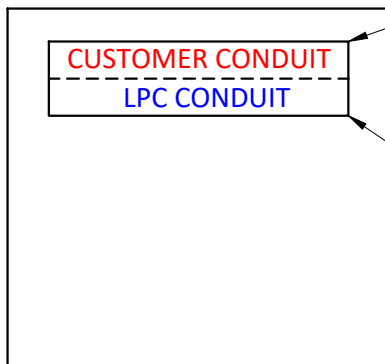
LINE SIDE BUSHINGS (200A OR 600A)

LOAD SIDE BUSHINGS (200A OR 600A)



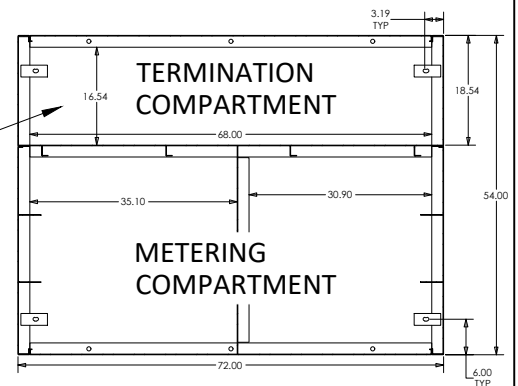
PM CABINET TERMINATION COMPARTMENT FRONT VIEW, DOORS OPEN. TYPICAL - SINGLE BUSHING LINE AND LOAD.

CONDUIT BLOCK-OUT - 58"W X 14"D DIVIDED HORIZONTALLY DUE TO BUSHING LAYOUT.



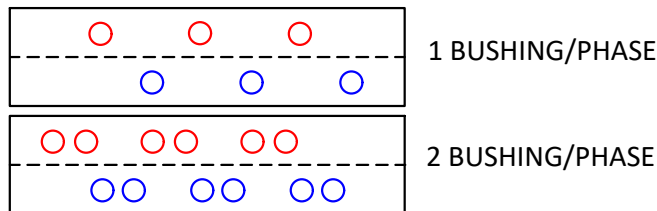
68"W X 16"D CABINET CONDUIT WINDOW.
CABINET CAN MOUNT ON STOCK 3 PHASE TRANSFORMER PAD.

LPC STD 3 PHS XFMR PAD - 78" X 78"



PM CABINET TOP DOWN INTERIOR SECTION VIEW. TYPICAL DIMENSIONS.

CONDUIT CONFIGURATION - LPC, CUSTOMER



ELECTRIC SERVICES

CALL 1-800-922-1987 TO OBTAIN UTILITY LOCATES

NOT TO SCALE



1100 S SHERMAN ST
LONGMONT, CO 80501

PRIMARY METERING CABINET
CONSTRUCTION DETAIL

PHONE: 303-651-8386
FAX: 303-651-8796

Revision #:
Approved by:
Date Approved: 2025
File: UG_Drawing 2025.dwg
DETAIL
700-22B